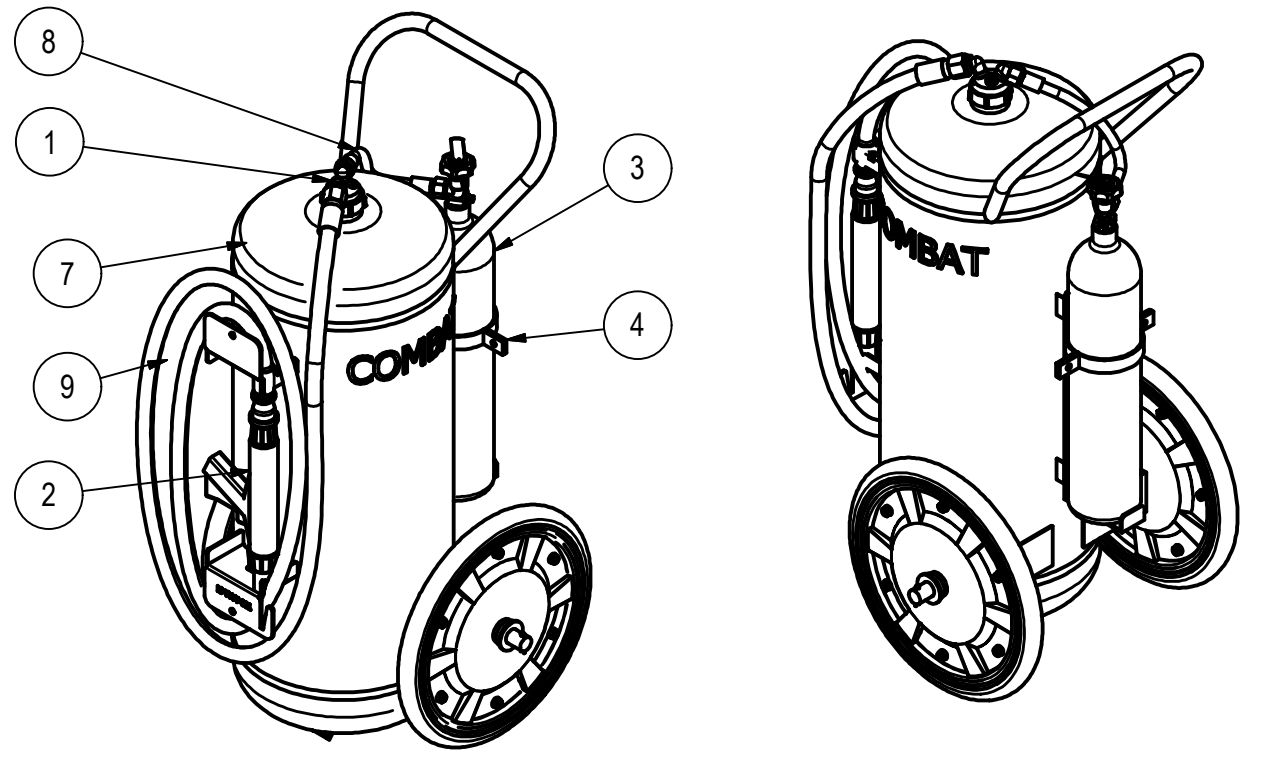


PARTS LIST				
Item	Description	Material	Com No	Qty
1	Air Release Valve Assembly	Brass CZ121	03001706	1
2	Powder Controllable Discharge Gun Assembly	PVC	03079204	1
3	3KG CO2 Cartridge Complete	Cast Iron	03191701	1
4	75kg Cartridge Holder	Steel	03237774	1
5	Discharge Tube for 75kg Cylinder	Steel	03237781	1
6	Syphone Tube for 75Kg Cylinder	PVC	03237782	1
7	75kg Cylinder With 16in Wheel	JIS3131 Hot Roll Sheet	03067302	1
8	Heavy Duty High Pressure Hose Assembly	Rubber	03003207	1
9	0.75in Hose Assembly	Rubber	03003303	1

Technical Specification	
Description	Specification
Extinguisher Medium	ABC Dry Chemical 70% Powder
Working Temperature	-20 To 60DegC
Test Pressure	25.7 Bar
Discharge Time	110 Sec
Discharge Effective Range	10 m
Fire Rating	IV B (4x21B + 233B = 317B)
Gross Weight	137 kg
Approval To BS EN1866-1	LPCB, SETSCO



LINGJACK ENGINEERING WORKS PTE LTD
 NO.1 WOODLANDS TERRACE #03-01
 LINGJACK INDUSTRIAL BUILDING
 SINGAPORE 738471
 TEL:(65)6759 4163 FAX:(65)6758 7513
 E-MAIL:COMBAT@LINGJACK.COM
 WEBSITE:WWW.COMBAT.COM.SG

Customer :-	Project :-
Title : 75Kg Trolley Fire Extinguisher (ABC), Cartridge (C-75ATC)	
Drawing No. : 21803300	Com. No. :
This drawing contains proprietary information and should not be reproduced or use in any way without written permission from Lingjack Engineering Works Pte Ltd.	
Scale : NTS	Sheet : 1/1
3rd Angle Projection :	

20.07.11	Production Drawing.	Fung	Lucas	00	A
Date	Description	Drawn	Approved	GA Rev	Pro Rev