

## TRI-MAX Super 60-LP and 60 LP

### Product Specifications

|                                 |  |
|---------------------------------|--|
| <b>Pressure Vessel Capacity</b> | 60 Gallons   |
| <b>CAFS output</b>              | 1200 Gallons Maximum   |
| <b>Discharges</b>               | 1" Hand-held line<br>1.5" Hand Line (Super-60-LP Only)                 |
| <b>Discharge Range</b>          | 1" Line: 65-75 Feet in Zero wind<br>1.5" Line: 85-95 Feet in Zero wind |

### Dimensions

|                       |                 |
|-----------------------|-----------------|
| <b>SKID Length</b>    | 72"             |
| <b>Overall Length</b> | 78 1/8"         |
| <b>Height</b>         | 32 3/8"         |
| <b>Width</b>          | 44 1/2"         |
| <b>Weight empty</b>   | 630 lbs approx  |
| <b>Weight Full</b>    | 1130 lbs approx |

### Servicing Requirements

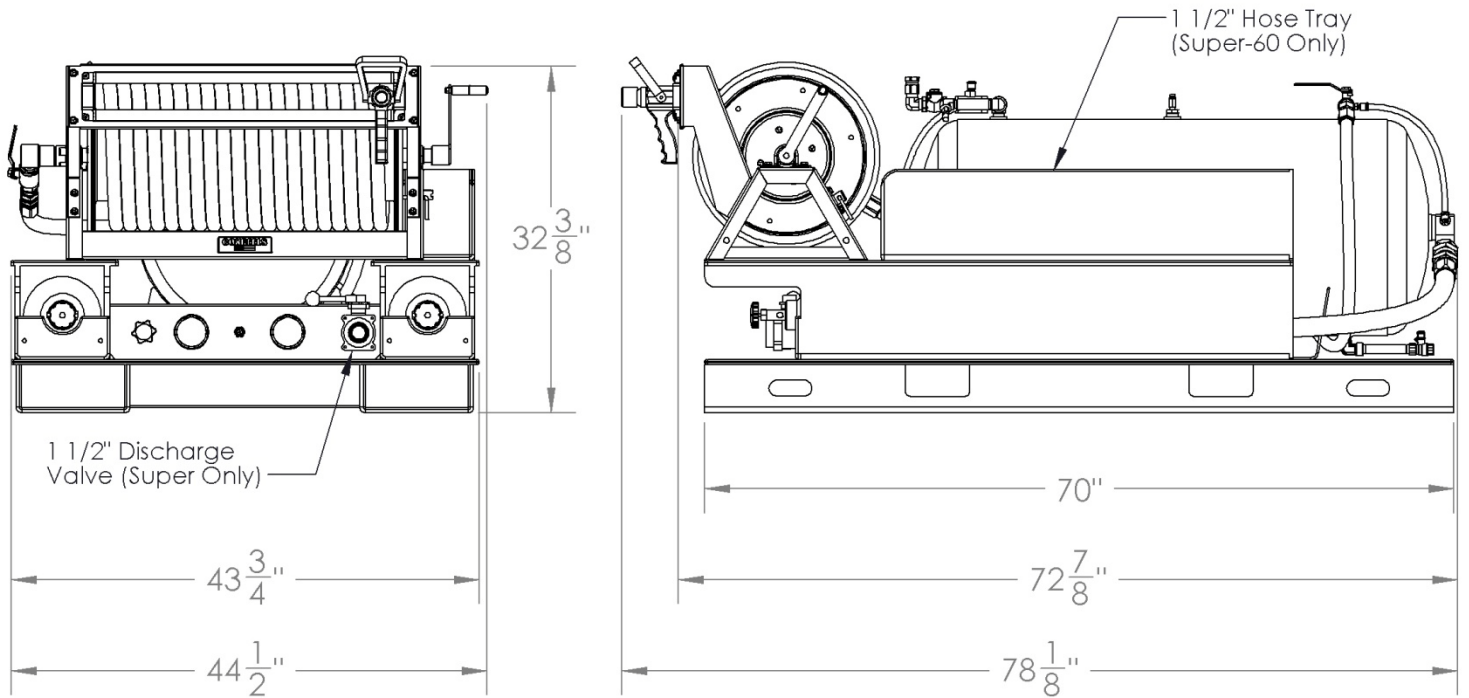
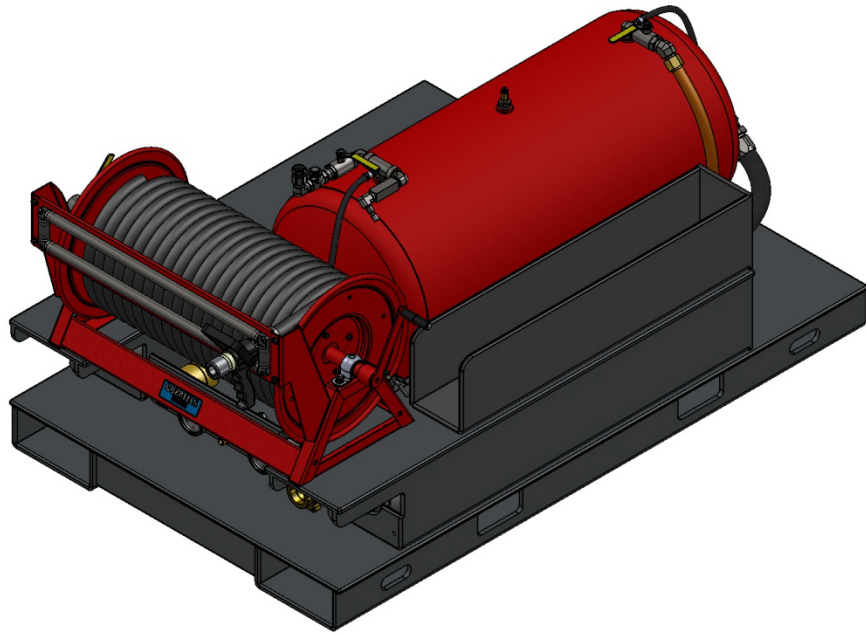
|   |                           |
|---|---------------------------|
| <b>Class A - Ordinary Combustibles; 1%</b>      | 2 1/2 US Qt. (80 oz)      |
| <b>Class A/B -Multi Level Hazards : 3%</b>      | 2 gal (256 oz.)           |
| <b>Class B - Flammable Liquids: 6%</b>          | 4 gals. (512oz)           |
| <b>Class D - Combustible Metals/Solids: 10%</b> | 6 US gals. (768 ozs.)     |
| <b>Spare Air Cylinder</b>                       | Industrial Type Available |

### Optional Features

- Electric rewind booster reel
- Protective Cover

### General Specifications – Standard

|  |   |
|--|---|
| <b>Premix Pressure Vessel Construction</b> | Steel Construction to ASME standards  |
| <b>Premix Pressure Vessel Diameter</b>     | 20"   |
| <b>Fill Type</b>                           | Female Garden Hose Fitting (Funnel with adapter included)                           |
| <b>Pick up tube</b>                        | Corrosion Resistant   |
| <b>Premix Pressure Vessel Drain Type</b>   | Ball Valve  |
| <b>System Hoses</b>                        | Braided Stainless Steel with black material coated                                  |
| <b>Plumbing</b>                            | Brass and Steel Fittings  |
| <b>Discharge Hose</b>                      | 100' x 1" hard rubber line<br>100' x 1.5" flay lay wildland hose (Super-60-LP Only) |
| <b>Discharge Duration</b>                  | 1" discharge Hose: 3 minutes 45 seconds<br>1.5" Discharge Hose: 1 minute 45 seconds |
| <b>Expellant Type</b>                      | Compressed Air or Nitrogen  |
| <b>Expellant Cylinder Capacity</b>         | Industrial Type 150 cu ft 2250 psi per cylinder                                     |
| <b>Air Cylinder Bracket</b>                | Welded Co-polymer Enclosure   |
| <b>Regulator</b>                           | Adjustable pressure 0-400 psi   |
| <b>Discharge Nozzle</b>                    | Pistol Grip style   |
| <b>Discharge Tip</b>                       | Smooth bore machined aluminum   |
| <b>Foam Compatibility</b>                  | Class A - B - D   |
| <b>Frame Construction</b>                  | Welded Co-polymer   |



DIMENSIONS ARE IN INCHES  
 TOLERANCES:  
 FRACTIONAL ±  
 ANGULAR: MACH ± BEND ±  
 TWO PLACE DECIMAL ±  
 THREE PLACE DECIMAL ±

|                      | NAME | DATE     | MATERIAL |
|----------------------|------|----------|----------|
| DRAWN                | DJR  | 7-1-2010 | -        |
| CHECKED              |      |          | -        |
| DO NOT SCALE DRAWING |      |          |          |

**PROPRIETARY AND CONFIDENTIAL**  
 THE INFORMATION CONTAINED IN THIS DRAWING IS THE SOLE PROPERTY OF KINGSWAY INDUSTRIES, INC. ANY REPRODUCTION IN PART OR AS A WHOLE WITHOUT THE WRITTEN PERMISSION OF KINGSWAY INDUSTRIES, INC. IS PROHIBITED.

**KINGSWAY INDUSTRIES, INC.**

**TRI-MAX**  
 K.C.A.F. FIRE TECHNOLOGIES

**TM Super-60**

|             |                    |              |
|-------------|--------------------|--------------|
| SIZE        | DWG. NO.           | REV.         |
| <b>A</b>    | d-TM-Super-60-Spec |              |
| SCALE: 1:18 | WEIGHT:            | SHEET 1 OF 1 |