

TRI-MAX Super-120LP and 120LP

Product Specifications

Pressure Vessel Capacity	120 Gallons
CAFS output	2400 Gallons Maximum
Discharges	1" Hand-held line 1.5" Hand Line (Super-120-LP Only)
Discharge Range	1" Line: 65-75 Feet in Zero wind 1.5" Line: 85-95 Feet in Zero wind

Dimensions

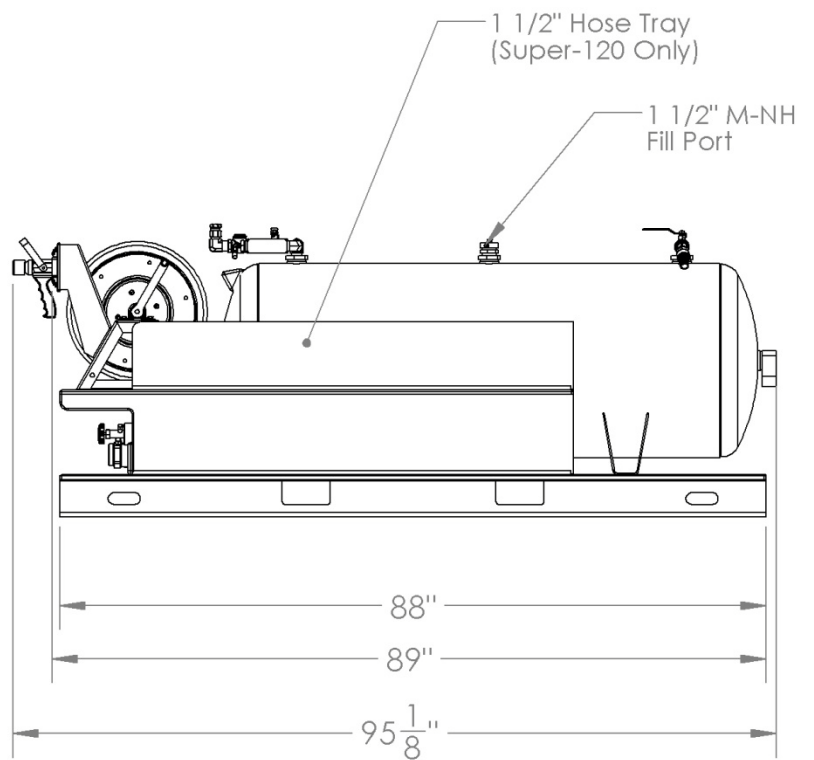
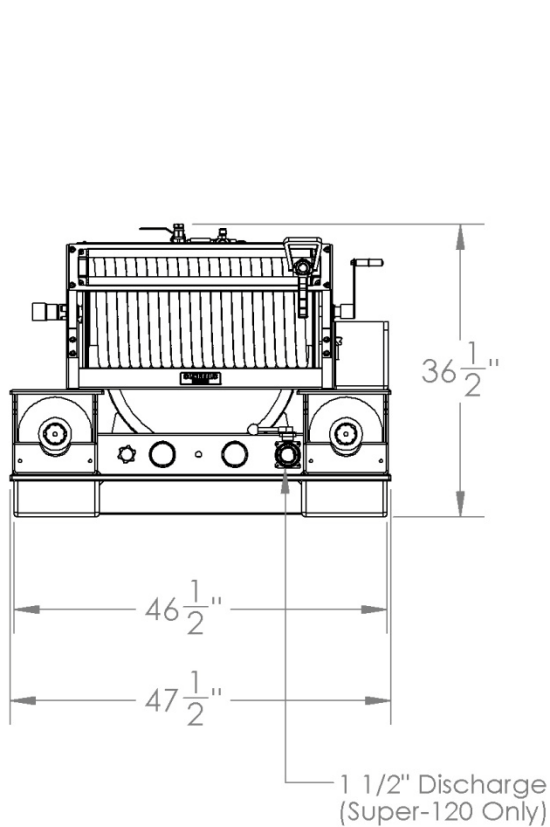
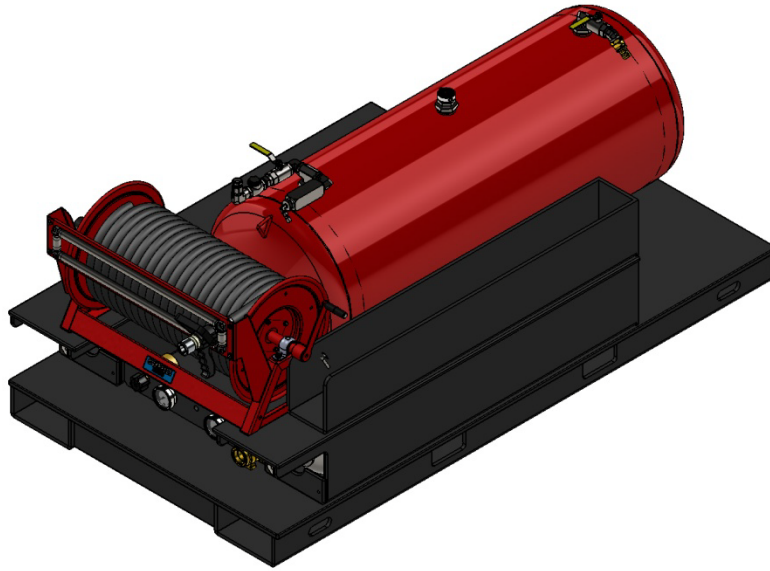
SKID Length	88 "
Overall Length	95 1/8"
Height	36 1/2"
Width	47 1/2"
Weight empty	996 lbs approx
Weight Full	1956 lbs approx

Servicing Requirements

Class A - Ordinary Combustibles; 1%	5 US Qt. (160 oz)
Class A/B -Multi Level Hazards : 3%	4 US gal. (512 oz.)
Class B - Flammable Liquids: 6%	8 US gals. (1024 oz.)
Class D - Combustible Metals/Solids: 10%	12 gals. (1536 oz.)
Spare Air Cylinder	Industrial Type Available

General Specifications – Standard

Premix Pressure Vessel Construction	Steel Construction to ASME standards
Premix Pressure Vessel Diameter	24"
Fill Types	Female Garden Hose Fitting (Funnel with adapter included) 1.5" M NH Adapter with plug
Pick up tube	Corrosion Resistant
Premix Pressure Vessel Drain Type	Ball Valve
System Hoses	Braided Stainless Steel with black material coated
Plumbing	Brass and Steel Fittings
Discharge Hose	100' x 1" hard rubber line 100' x 1.5" flay lay wildland hose (Super-120-LP Only)
Discharge Duration	1" discharge Hose: 7 minutes 30 seconds 1.5" Discharge Hose: 3 minutes 30 seconds
Expellant Type	Compressed Air or Nitrogen
Expellant Cylinder Capacity	Industrial Type 150 cu ft 2250 psi per cylinder
Air Cylinder Bracket	Welded Co-polymer Enclosure
Regulator	Adjustable pressure 0-400 psi
Discharge Nozzle	Pistol Grip style
Discharge Tip	Smooth bore machined aluminum
Foam Compatibility	Class A - B - D
Frame Construction	Welded Co-polymer



KINGSWAY
INDUSTRIES, INC.

TRI-MAX
K.G.A.F. FIRE TECHNOLOGIES

TM Super-120 LP

SIZE	DWG. NO.	REV.
A	D-TM-S-120LP	
SCALE: 1:24	WEIGHT:	SHEET 1 OF 1

DIMENSIONS ARE IN INCHES
TOLERANCES:
FRACTIONAL ±
ANGULAR: MACH ± BEND ±
TWO PLACE DECIMAL ±
THREE PLACE DECIMAL ±

	NAME	DATE	MATERIAL
DRAWN	DJR	7-1-2010	-
CHECKED			-
DO NOT SCALE DRAWING			

PROPRIETARY AND CONFIDENTIAL
THE INFORMATION CONTAINED IN THIS DRAWING IS THE SOLE PROPERTY OF KINGSWAY INDUSTRIES, INC. ANY REPRODUCTION IN PART OR AS A WHOLE WITHOUT THE WRITTEN PERMISSION OF KINGSWAY INDUSTRIES, INC. IS PROHIBITED.