

STARTERPAQ 3HP - TECHNICAL DATA

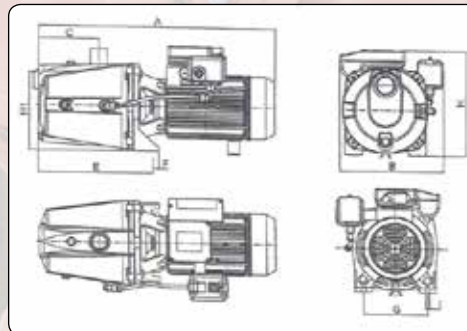
The 3HP StarterPak is a packaged pump system including a self-priming, closed coupled, end suction pump and basic manifold system. This meets NFPA 13D requirements.



PUMP FLOW CHART

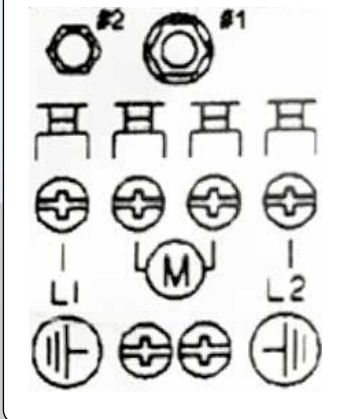
0 GPM @ 72 PSI	35 GPM @ 47 PSI
10 GPM @ 65 PSI	40 GPM @ 45 PSI
20 GPM @ 58 PSI	45 GPM @ 40 PSI
25 GPM @ 55 PSI	50 GPM @ 25 PSI
30 GPM @ 51 PSI	Max Flow @ 54 GPM

DIMENSIONS



A = 23.4"
B = 10.3
E = 11.3"
H = 10.4"
G = 6.3"
Suction = 1.5"
Discharge = 1.25"

Wiring Diagram



MOTOR INFORMATION

Motor information	SF: 1.15
3HP	INS. Class F
Single Phase (1PH)	Motor is thermally protected
FLA 12A	



#DemandDarley

PURCHASE OUR LOW COST
PUMP ON STARTERPAQ.COM

1.800.4.DARLEY • STARTERPAQ.COM •