

V-SERIES™ Standard & Leading-Edge SRLs



Technical Data Sheet

V-TEC™ Standard SRL

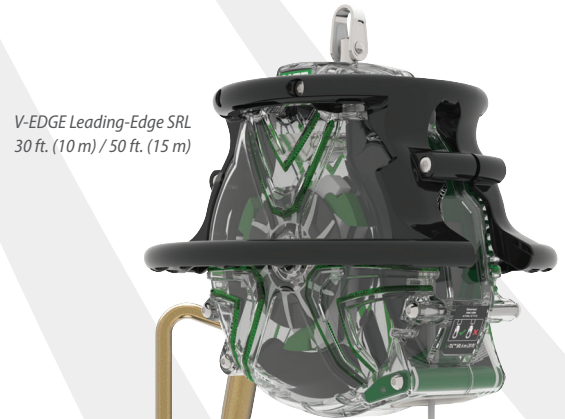
CAPACITY	
ANSI Z359.14 CLASS B	130–310 lb. (59–140 kg)
CSA Z259.2.2 TYPE 2	130–310 lb. (59–140 kg)
OSHA	400 lb. (180 kg)
BRAND	MSA
MODEL NAME	V-TEC
LENGTHS	20 ft. (6 m) 30 ft. (10 m) 50 ft. (15 m)
CONNECTOR OPTIONS	Steel swivel snaphook or aluminum swivel triple-lock carabiner
HOUSING MATERIAL	Clear polycarbonate
HARDWARE MATERIALS	Steel, stainless steel, aluminum
LIFELINE MATERIALS	$\frac{3}{16}$ " (5 mm) galvanized steel cable or $\frac{3}{16}$ " (5 mm) stainless steel cable
ENERGY-ABSORBING TECHNOLOGY	Patented tolerance ring energy absorber
ARREST FORCES	
PEAK	1,800 lb. (8 kN)
AVERAGE	900 lb. (4 kN)
KEY FEATURES	Retraction brake Stowable carry handle Clear inspectable housing
PRODUCT STYLES	Standard SRL
PRODUCT TYPES	Construction OGP General industry
STANDARES	ANSI Z359.14 Class B CSA Z259.2.2 EN360:2002 OSHA



WE KNOW WHAT'S AT STAKE.

V-EDGE™ Leading-Edge SRL

CAPACITY	
ANSI Z359.14 CLASS LE	130–310 lb. (59–140 kg)
CSA Z259.2.2 CLASS LE	130–310 lb. (59–140 kg)
OSHA	400 lb. (180 kg), leading-edge capacity
BRAND	MSA
MODEL NAME	V-EDGE
LENGTHS	20 ft. (6 m) 30 ft. (10 m) 50 ft. (15 m)
CONNECTOR OPTIONS	Steel swivel snaphook
HOUSING MATERIAL	Clear polycarbonate
HARDWARE MATERIALS	Steel, stainless steel, aluminum
LIFELINE MATERIALS	3/8" (5 mm) galvanized steel cable
ENERGY-ABSORBING TECHNOLOGY	Tear webbing with protective case
KEY FEATURES	Retraction brake Leading-edge roll cage Hard-cased external energy absorber Clear inspectable housing
PRODUCT STYLES	Leading-edge SRL
PRODUCT TYPES	Construction OGP General industry
STANDARES	ANSI Z359.14 Class LE CSA Z259.2.2 Class LE EN360:2002 OSHA



V-EDGE Leading-Edge SRL
30 ft. (10 m) / 50 ft. (15 m)



V-EDGE Leading-Edge SRL
20 ft. (6 m)

Note: This Bulletin contains only a general description of the products shown. While uses and performance capabilities are described, under no circumstances shall the products be used by untrained or unqualified individuals and not until the product instructions including any warnings or cautions provided have been thoroughly read and understood. Only they contain the complete and detailed information concerning proper use and care of these products.



MSA – The Safety Company
1000 Cranberry Woods Drive
Cranberry Township, PA 16066 USA
Phone 724-776-8600
www.MSAsafety.com

U.S. Customer Service Center
Phone 1-800-MSA-2222
Fax 1-800-967-0398

MSA Canada
Phone 1-800-672-2222
Fax 1-800-967-0398

MSA Mexico
Phone 01 800 672 7222