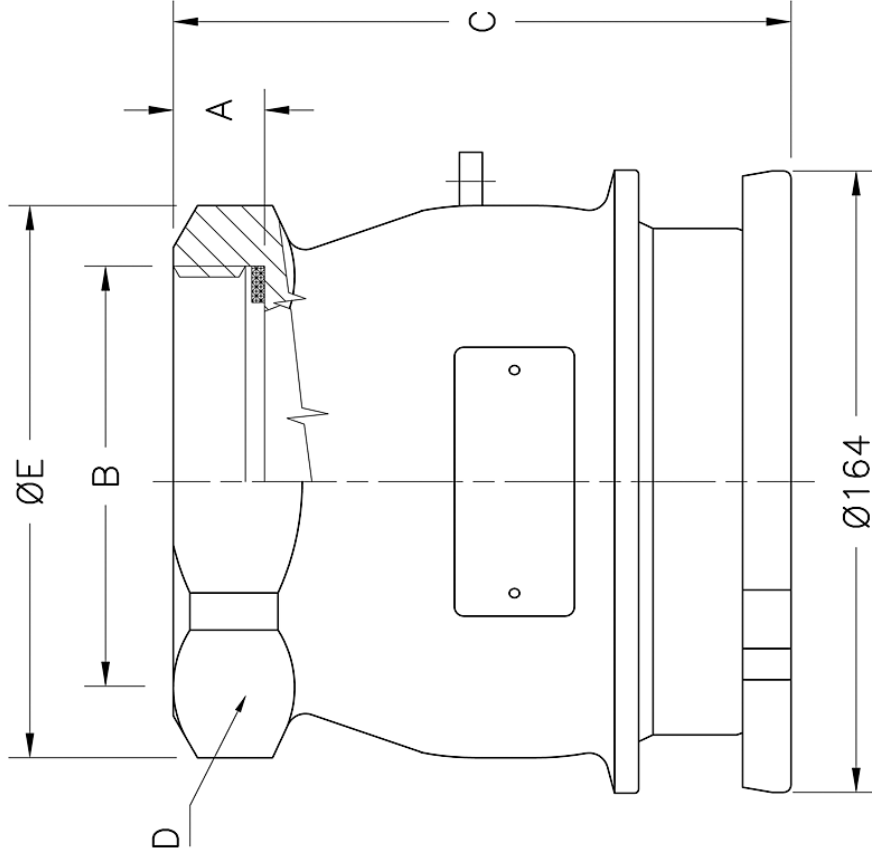


TODO-MATIC Tank units - coupling Ø 164



Max coupling pressure: 7 bar / 102 psi.

* NPT thread is a tapered pipe thread, tightening on the tread. Therefore there is no flat seal.

** Sealing material, see page 4

*** A = Changeable coupling flange. B = Unchangeable coupling flange.

DN / Size	B (connection)	Material	Code No.	Weight	WP Bar/Psi	TP Bar/Psi	TYPE	A	C	D	E	F	G	H
100 / Ø164	4" BSP (ISO 228-G 4)	Aluminium	5631-11**	3,4 kg / 7,5 lb	10 / 145	15 / 220	A ***	24	162	130	162	-	-	-
100 / Ø164	4" BSP (ISO 228-G 4)	Brass	5631-22**	7,5 kg / 16,5 lb	10 / 145	15 / 220	A ***	24	162	130	162	-	-	-
100 / Ø164	4" BSP (ISO 228-G 4)	Stainless Steel	5830A-44**	6,9 kg / 15,2 lb	25 / 365	37,5 / 545	B ***	24	164	130	164	-	-	-
-- / Ø164	4" NPT (ANSI B2.1) *	Aluminium	7476-11**	3,4 kg / 7,5 lb	10 / 145	15 / 220	A ***	34	172	130	172	-	-	-
-- / Ø164	4" NPT (ANSI B2.1) *	Brass	7476-22**	7,5 kg / 16,5 lb	10 / 145	15 / 220	A ***	34	172	130	172	-	-	-
-- / Ø164	4" NPT (ANSI B2.1) *	Stainless Steel	7480A-44**	6,9 kg / 15,2 lb	25 / 365	37,5 / 545	B ***	34	172	130	173	-	-	-