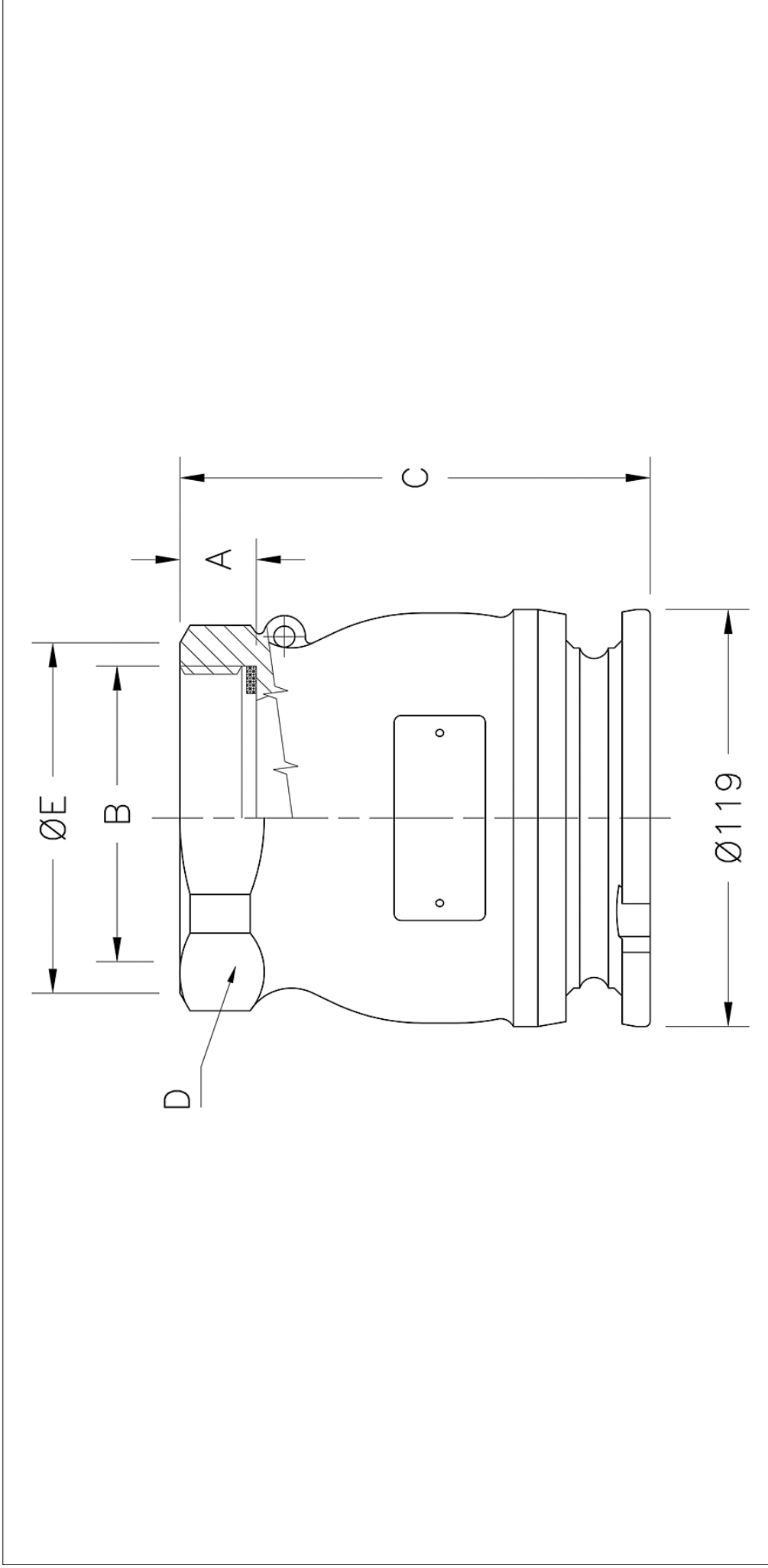


TODO-MATIC Tank units - coupling Ø 119



Max coupling pressure: 7 bar / 102 psi.

\*\*Sealing material, see page 4

\* NPT thread is a tapered pipe thread, tightening on the tread. Therefore there is no flat seal.

DN / Size	B (connection)	Material	Code No.	Weight	WP Bar/Psi	TP Bar/Psi	TYPE	A	C	D	E	F	G	H
80 / Ø119	3" BSP (ISO 228 - G 3)	Aluminium	5531C-11**	1,2 kg / 2,6 lb	10 / 145	15 / 220	-	22	134	101	110	-	-	-
80 / Ø119	3" BSP (ISO 228 - G 3)	Brass	5531C-22**	3,8 kg / 8,4 lb	10 / 145	15 / 220	-	22	134	101	110	-	-	-
80 / Ø119	3" BSP (ISO 228 - G 3)	Stainless Steel	5531X-44**	3,7 kg / 8,2 lb	25 / 365	37,5 / 545	-	22	134	101	110	-	-	-
-- / Ø119	3" NPT (ANSI B2.1)*	Aluminium	7474C-11**	1,2 kg / 2,6 lb	10 / 145	15 / 220	-	32	144	101	110	-	-	-
-- / Ø119	3" NPT (ANSI B2.1)*	Brass	7474C-22**	3,8 kg / 8,4 lb	10 / 145	15 / 220	-	32	144	101	110	-	-	-
-- / Ø119	3" NPT (ANSI B2.1)*	Stainless Steel	7474X-44**	3,7 kg / 8,2 lb	25 / 365	37,5 / 545	-	32	144	101	110	-	-	-