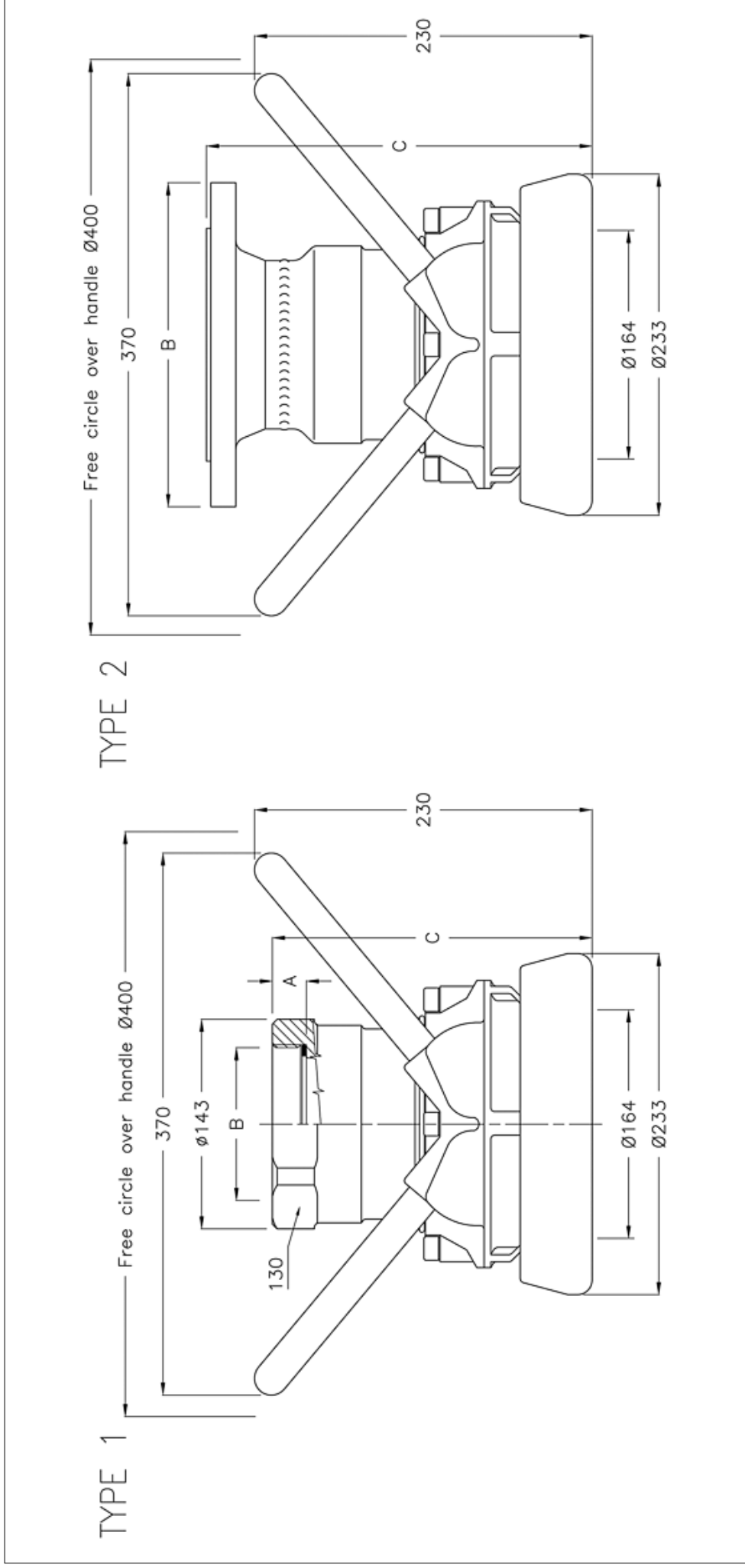


TODO-MATIC Hose units - coupling Ø 164



Max coupling pressure: 6 bar / 102 psi.

\*\* Sealing material, see page 4

\* NPT thread is a tapered pipe thread, tightening on the tread. Therefore there is no flat seal.

DN / Size	B (connection)	Material	Code No.	Weight	WP Bar/Psi	TP Bar/Psi	TYPE	A	C	D	E	F	G	H
100 / Ø164	4" BSP (ISO 228-G 4)	Aluminium	5632G-13**	9,5 kg / 20,9 lb	10 / 145	15 / 220	1	24	220	-	-	-	-	-
100 / Ø164	4" BSP (ISO 228-G 4)	Brass	5632G-24**	20,6 kg / 45,4 lb	10 / 145	15 / 220	1	24	220	-	-	-	-	-
100 / Ø164	4" BSP (ISO 228-G 4)	Stainless Steel	9400-44**	17,6 kg / 38,8 lb	25 / 365	37,5 / 545	1	24	220	-	-	-	-	-
-- / Ø164	4" NPT (ANSI B2.1) *	Aluminium	7477G-13**	9,5 kg / 20,9 lb	10 / 145	15 / 220	1	34	230	-	-	-	-	-
-- / Ø164	4" NPT (ANSI B2.1) *	Brass	7477G-24**	20,6 kg / 45,4 lb	10 / 145	15 / 220	1	34	230	-	-	-	-	-
-- / Ø164	4" NPT (ANSI B2.1) *	Stainless Steel	9401-44**	17,6 kg / 38,8 lb	25 / 365	37,5 / 545	1	34	230	-	-	-	-	-
100 / Ø164	EN 1092-1 PN 10/16 Type B	Stainless Steel	9416-44**	20,0 kg / 44,1 lb	16 / 232	37,5 / 545	2	-	261	-	-	-	-	-

All rights to change without notice is reserved.