

Tank Adapter: FEMALE End Connection – 4" DN100 Ø164 mm

Conforming to NATO STANAG 3756

Sizes and Weights: Tank Unit: Female connection

Sizes		Weights			
Imperial	Metric	Aluminium		Stainless Steel	
		lbs	kg	lbs	kg
F 4" NPT	DN100	5.73	2.6	14.99	6.8
F 4" BSP	DN100	5.51	2.5	14.77	6.7

Specifications: Tank Unit: Female end connection

Material	Aluminium, Stainless Steel
O-ring	Standard FPM/FKM (Viton®)

O-ring / Threads: other available on request.

Tank Adapter: FLANGED End Connection – 4" DN100 Ø164 mm

Conforming to NATO STANAG 3756

Sizes and Weights: Tank Unit: Flanged end connection

Sizes		Pressure Rating	Weights	
Imperial	Metric		lbs	kg
Aluminium				
4"	DN100	PN 10/16	9.04	4.1
4"	DN100	ANSI 150	9.92	4.5
Stainless Steel				
4"	DN100	PN 10/16	23.59	10.7
4"	DN100	PN 25/40	29.1	13.2
4"	DN100	ANSI 150	25.79	11.7
4"	DN100	ANSI 300	34.17	15.5

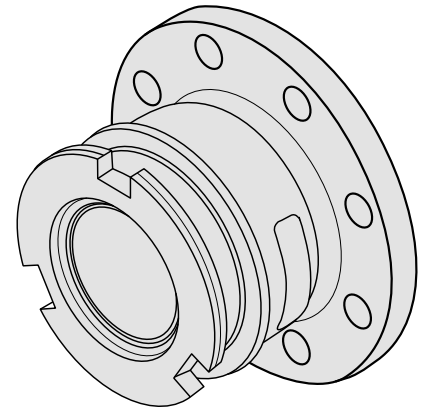
Specifications: Tank Unit: Flanged end connection

Flanges	ANSI, DIN
Material	Aluminium, Stainless Steel
O-ring	Standard FPM/FKM (Viton®)

O-ring / Flanges: other available on request.



DLH	040		ZV		
Stainless Steel	S	BSPP	M	Female	
Aluminium	A	BSPP	N	Male	
		BSTT	P	Female	
		BSPT	R	Male	
		NPT	U	Female	
		NPT	V	Male	



DLT	040		ZV		
Stainless Steel	S	ANSI 150	A1		
Aluminium	A	ANSI 300	B1		
		PN10	G1		
		PN16	H1		
		PN25	J1		
		PN40	K1		