



Technical Manual for the Sounder – DB15

Please note that every care has been taken to ensure the accuracy of our technical manual. We do not, however, accept responsibility for damage, loss or expense resulting from any error or omission. We reserve the right to make alterations in line with technical advances and industry standards.

1. INTRODUCTION

These sounder units have been designed for use in harsh environmental conditions.

2. INSTALLATION

General

When installing and operating electrical equipment, requirements for selection, installation and operation should be referred to.

Additional national and/or local requirements may apply.

Ensure that all nuts, bolts and fixings are secure.

Ensure that appropriate stopping plugs are used to blank off unused gland entry points. Sealing compound should be applied to stopping plug threads to maintain the IP rating of the unit.

The DB15 is mounted via 2 x Ø 7mm (0.28") fixing holes in the 'u' shaped stirrup/mounting bracket.

If required, the unit can be initially placed via the Ø 13mm (0.51") central hole in the stirrup. The unit can be rotated to the required position and fixed via the two other holes.

The fixing holes accept M6 screws or bolts. MEDC recommend the use of stainless steel screws.

The elevation of the unit can be adjusted by loosening the 2 x M6 screws which fasten the stirrup to the sounder. The unit can then be adjusted by rotating to the required position and then tightening the M6 screws. The DB15 should be positioned such that debris, dust or water cannot settle in the re-entrant horn.

Cable Termination

CAUTION: Before removing the cover assembly, ensure that the power to the unit is isolated.

Unscrew the 2 off screws holding the cover to the unit. Remove to gain access to the interior of the enclosure.

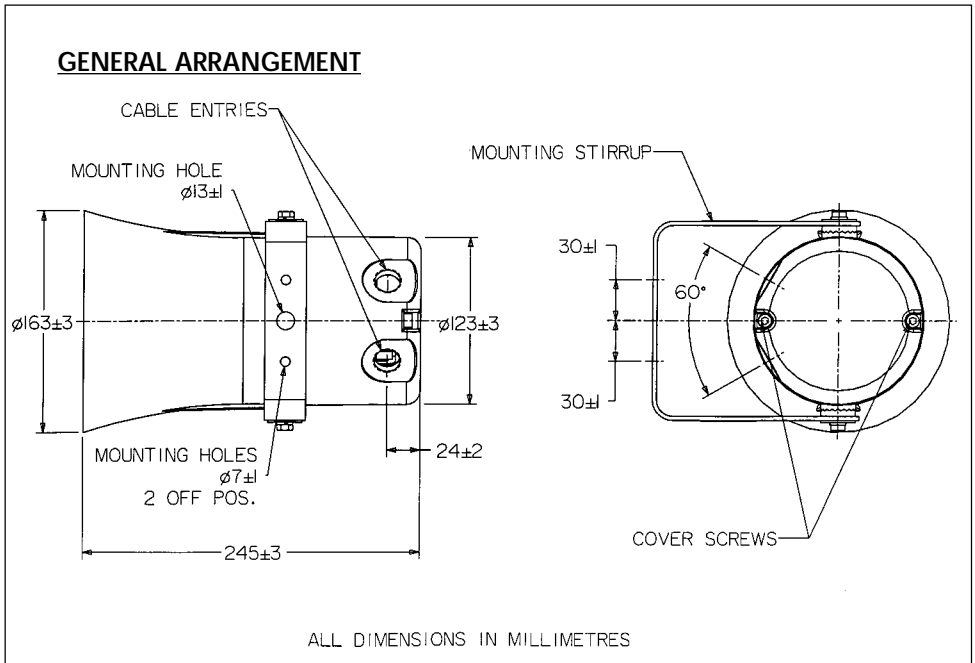
Cable termination should be in accordance with specifications applying to the application. MEDC recommend that all cables and cores should be fully identified.

Ensure that appropriate cable glands are used and that the assembly is shrouded and correctly earthed.

All cable glands should be of an equivalent IP rating to that of the sounder.

In order to maintain the IP rating of the unit, the cable glands should be sealed to the unit using a sealing washer (if possible) and sealing compound.

Once termination is complete, carefully push the cover back onto the unit, avoiding damage to the seal. Tighten the 2 off cover screws evenly, to ensure correct sealing.



3. OPERATION

The unit is initiated directly from the power source.

For all versions, a 5-way DIL switch selects the tone required from the list shown.

The DB15P includes two 5-way DIL switches to select any two tones from the list. These units can be switched between any two of the tones listed by either:-

- Reversing the polarity of the power supply, or
- By a 3 wire common +ve system, switching between the two -ve lines.

	TONE FREQ/DESCRIPTION	SWITCH SETTING 12345	TONE DESCRIPTION	Nom O/P (dB(A) @1M)
1	Alt Tones 800/970 Hz at 1/4 sec	11111		114
2	Sweeping 800/970 Hz at 7Hz	11110	Fast Sweep(LF)	117
3	Sweeping 800/970 Hz at 1 Hz	11101	Med Sweep(LF)	117
4	Continuous at 2850 Hz	11100		112
5	Sweeping 2400-2850 Hz at 7 Hz	11011	Fast Sweep	109
6	Sweeping 2400-2850 Hz at 1 Hz	11010		110
7	Slow Whoop	11001	Slow Whoop	117
8	Sweep 1200-500 Hz at 1 Hz	11000	Din Tone	116
9	Alt Tones 2400/2850 Hz at 2 Hz	10111		112
10	Int Tone of 970 Hz at 1 Hz	10110	Back-Up Alarm(LF)	113
11	Alt Tones 800/970 Hz at 7/8 Hz	10101		115
12	Int Tone at 2850 Hz at 1Hz	10100	Back Up Alarm(HF)	112
13	970Hz at 1/4 sec on 1 sec off	10011		114
14	Continuous at 970 Hz	10010		113
15	554Hz for 100mS / 440 Hz for 400mS	10001	French Fire Sound	104
16	Int 660 Hz 150 mS on 150 mS off	10000	Swedish Fire Alarm	108
17	Int 660 Hz 1.8 sec on 1.8 sec off	01111	Swedish Fire Alarm	109
18	Int 660 Hz 6.5 sec on 13 sec off	01110	Swedish Fire Alarm	109
19	Continuous 660 Hz	01101	Swedish Fire Alarm	109
20	Alt 554/440 Hz at 1 Hz	01100	Swedish Fire Alarm	105
21	Int 660 Hz at 7/8 Hz	01011	Swedish Fire Alarm	109
22	Int 2850 Hz 150 mS on 100 mS off	01010	Pelican Crossing	108
23	Sweep 800-970 Hz at 50 Hz	01001	Low Freq Buzz	115
24	Sweep 2400-2850 Hz at 50 Hz	01000	High Freq Buzz	110
25	3 970Hz pulses 0.5on/0.5off, 1.5 off	00111		113
26	3 2850Hz pulses 0.5on/0.5off, 1.5 off	00110		113
27	Int 3100 Hz 0.32s on / 0.68s off	00101		110
28	Spare/Custom Tone	00100		
29	Spare/Custom Tone	00011		
30	Spare/Custom Tone	00010		
31	Spare/Custom Tone	00001		
32	Spare/Custom Tone	00000		

4. MAINTENANCE

During the working life of the unit, little or no maintenance is required. However, if abnormal or unusual environmental conditions occur due to plant damage or accident etc., then visual inspection is recommended.

If a fault should occur, it is recommended that the unit be returned to MEDC for repair. All parts are replaceable.

If you have acquired a significant quantity of units, it is recommended that spares are also made available. Please discuss your requirements with the Technical Sales Engineers at MEDC.

MEDC Ltd, Colliery Road, Pinxton, Nottingham NG16 6JF, UK.

Tel: +44 (0)1773 864100 Fax: +44 (0)1773 582800

Sales Enq. Fax: +44 (0)1773 582830 Sales Orders Fax: +44 (0)1773 582832

E-mail: sales@medc.com Web: www.medc.com

MEDC Stock No.
TM114-ISSA
