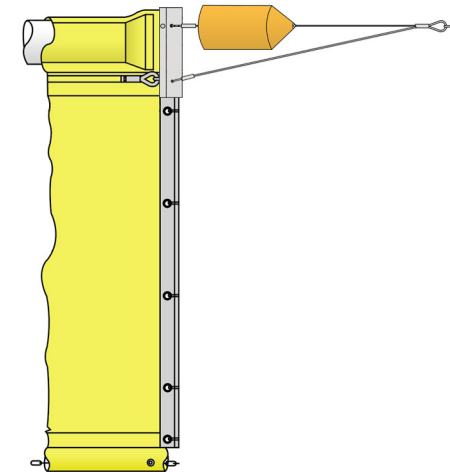


Tow Bridles can be provided with or without auxiliary floats. They may be used for handling the containment boom or silt curtain in water. Prior to deployment, the connector on the tow bridle should be mated to the boom or silt curtain and secured with a toggle pin. The shackle on the tow bridle will accept a line up to 3/4" in diameter. A choice of connectors are available.



1309 West Main St. Carmi, IL 62821
Phone: 618-382-2525 Fax: 618-382-3610

401 Shearer Blvd. Cocoa, FL 32922
Phone: 321-636-5783 Fax: 321-636-5787

Email: elastec@elastec.com www.elastec.com