

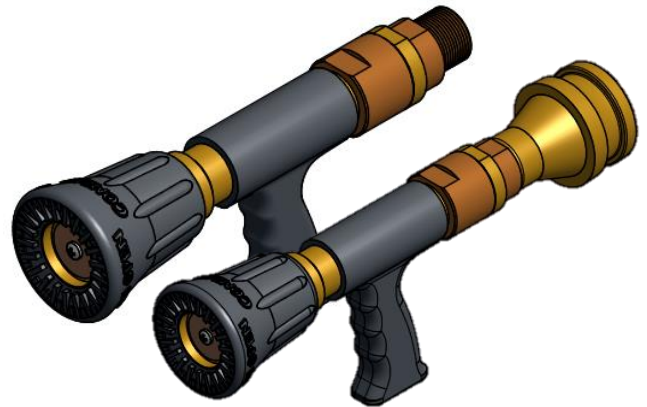


JET /SPRAY NOZZLE

MODEL : C-18P

Specification :

- Coupling : 2 ½” BS 336 Male Instantaneous Coupling
- Design Pressure : 20 bar
- Flow Rate (Jet) : 395 l/min at 6 bar
- Flow Rate (Spray) : 618 l/min at 6 bar
- Effective Jet Distance : 37.6 m
- Orifice Diameter : 19 mm
- Body Material : Brass
- Gross Weight : 2.25 kg



Features :

- 3 Way Control - Jet/Spray/Off
- Pistol Grip for Ease of Control
- Good Quality
- High Flow Rate
- No Maintenance
- Optional 1” BSP (M) inlet



Standards : Manufactured in accordance with BS EN 15182-1 : 2007 + A1 : 2009 Part 1 & Part 3

Approvals: SETSCO Tested

Origin : Made in Singapore

Part list :

1	Nozzle Body	Brass
2	2 ½” BS336 Male Coupling	Brass
3	Adaptor	Brass
4	Nozzle Head Rubber	Rubber
5	Divertor	Rubber
6	Nozzle Head	Brass
7	Nozzle Piston Grip	Rubber

