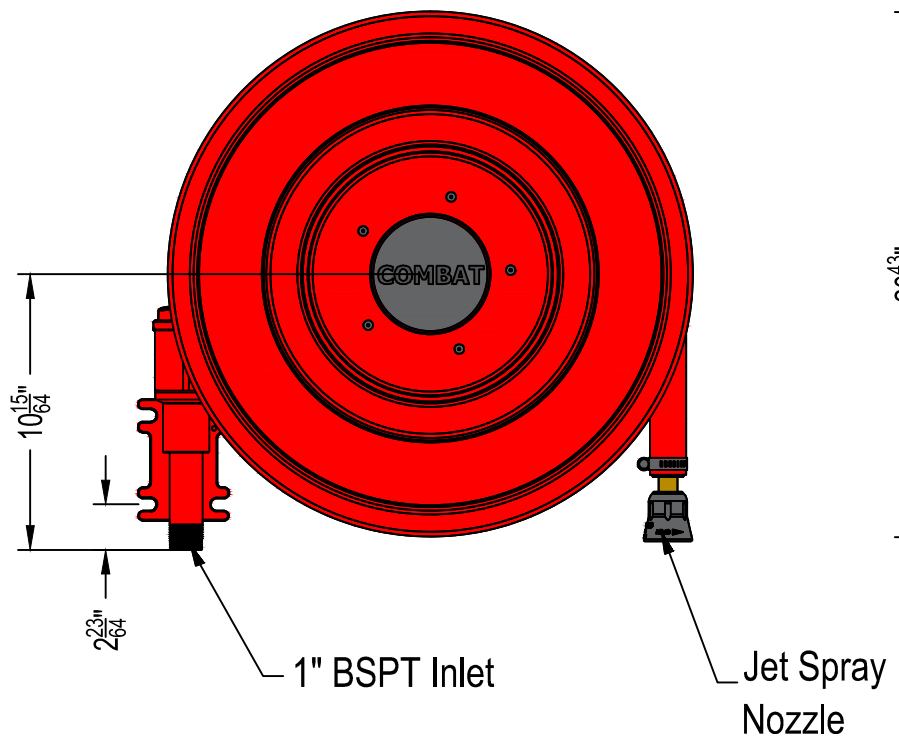
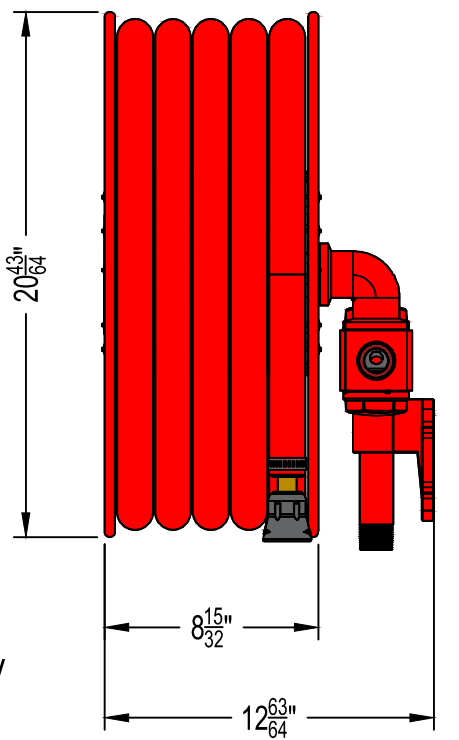


W:\IRP Fire and Safety Limited\FSE Projects\Tracy Ann Sankar\Glen\Hose Reel Cabinets\Hose Reel Assembly\Hose Reel Assembly Drawing_R4_01-02-2017.dwg



Front View

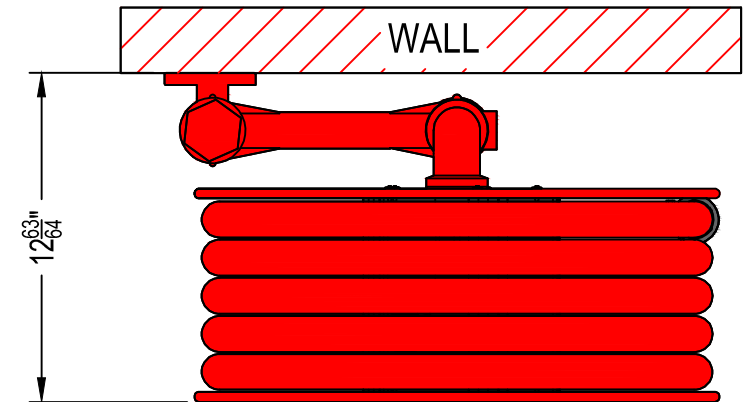


Side View

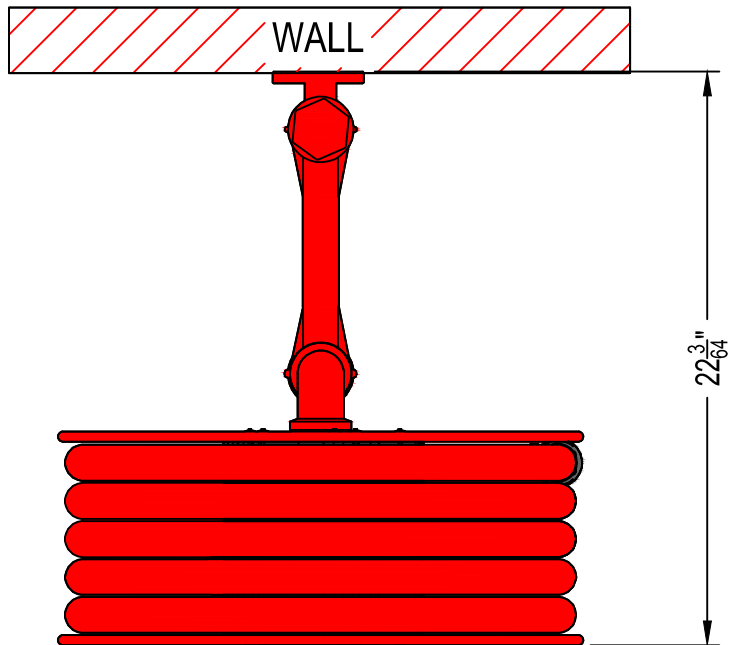
Note :
- Swing arm can be install in both left right position.

Technical Specification	
Description	Specification
Total Weight	approx. 18.5kg
Hydrostatic Test Pressure	260 psi @5min
Design	Approved to EN671-1 : 2012
Fire Hose	Approved to EN694 : 2014
Drum Plates	EG - Red Polyester Powder Coated
Design Pressure	170 psi (5-55 deg C)
Flowrate For Jet Spray Nozzle	Jet : 15 gpm @ 80 psi
Approval	LPCB,MED-Wheel Mark

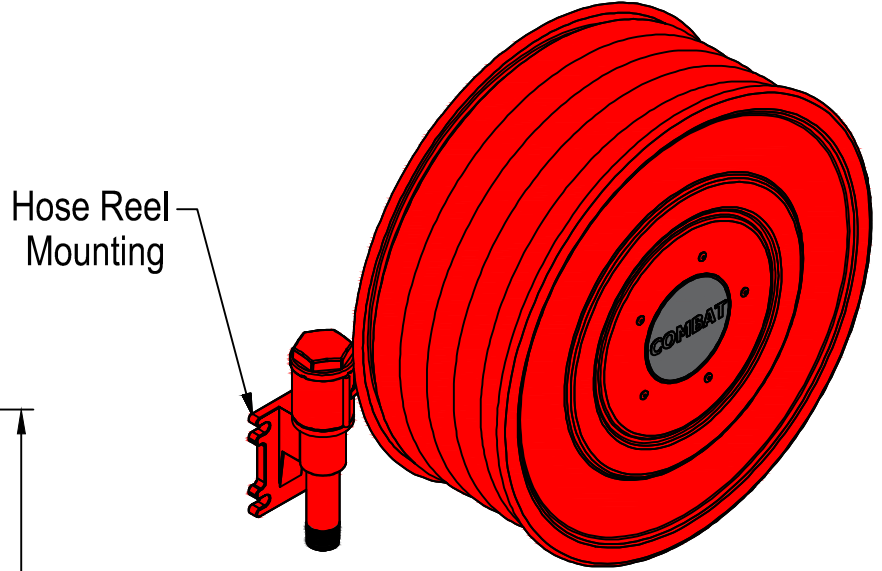
Carton Box : L570xW315xH530 (03051700)



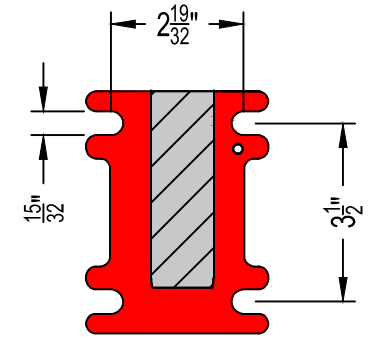
Closed Position



Swing Out Position



Hose Reel Mounting



Hose Reel Mounting Position

TECHNICAL REQUIREMENTS:

- USE CLAMP BETWEEN THE PVC HOSE AND SWING BRACKET, ANOTHER SIDE OF THE PVC HOSE ALSO USE FERRULE AFTER CONTACT WITH THE NOZZLE.
- WATER PRESSURE TEST IS T.P.18BAR, KEEP PRESSURE 1 MIN.

INSTALLATION INSTRUCTIONS:

- HOSE REEL TO BE INSTALLED IN AN UPRIGHT POSITION AS SHOWN IN DIAGRAM BACK AND SIDE VIEWS.
- SYSTEM INLET PIPING MUST BE INSTALLED AS A BOTTOM CONNECTION TO THE HOSE REEL 1" MNPT FITTING.
- HOSE REEL SWING ARM MUST NOT BE DISASSEMBLED FROM SWING BRACKET FOR INSTALLATION.
- HOSE REEL SHOULD BE INSTALLED FRONT FACING.

DISCLAIMER:

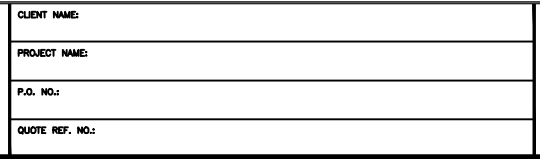
- WARRANTY WOULD NOT BE HONORED IF HOSE REEL IS DISASSEMBLED TO BE INSTALLED.
- WARRANTY WOULD NOT BE HONORED IF THE HOSE REEL IS INSTALLED NOT IN KEEPING WITH THIS INSTALLATION INSTRUCTION.

NOTES:
1.

REFERENCE DRAWINGS:
1.

COPYRIGHT © BY IRP FIRE AND SAFETY
ALL RIGHTS RESERVED
THIS DOCUMENT CONTAINS INFORMATION WHICH IS SUBJECT TO OBLIGATION OF CONFIDENTIALITY AND IS TO BE RETURNED UPON REQUEST. ITS CONTENTS MAY NOT BE COPIED, DISCLOSED TO THIRD PARTIES, OR USED FOR OTHER THAN THE EXPRESS PURPOSE FOR WHICH IT HAS BEEN PROVIDED WITHOUT THE WRITTEN CONSENT OF IRP FIRE & SAFETY LTD.

CLIENT NAME:
PROJECT NAME:
P.O. NO.:
QUOTE REF. NO.:



DRAWING NAME: 1"x30M MANUAL SWING HOSE REEL (HR-1SW)
LOCATION:
DRAWING NO.: FSE-PROJ-DLF-150-LAY-0001
SCALE: NTS
SHEET NO.: 1 OF 1

REV.	DATE dd/mm/yyyy	DESCRIPTION	D'GN.	DWG'N.	CHK.	APPR.
1	14/05/2014	ISSUED FOR APPROVAL	GT	TS	DH	GT
2	14/01/2016	RE-ISSUED FOR APPROVAL	GT	TS	DH	GT
3	21/12/2016	RE-ISSUED FOR APPROVAL	GT	TS	DH	GT
4	08/02/2017	RE-ISSUED FOR APPROVAL	GT	TS	DH	GT