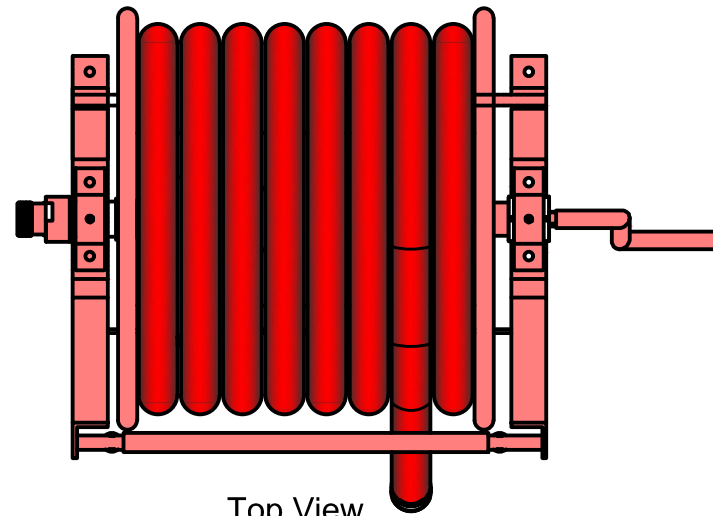
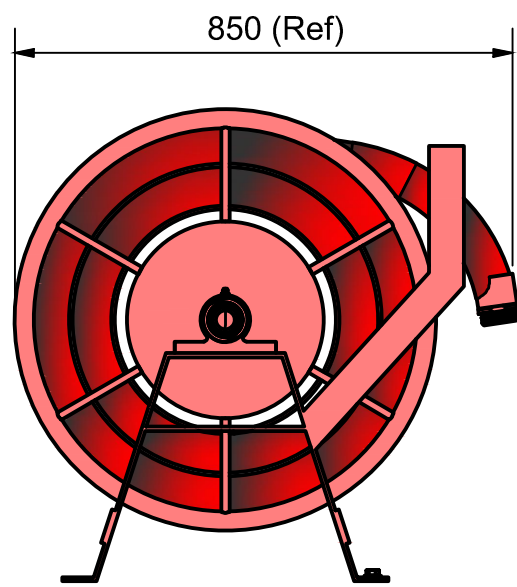


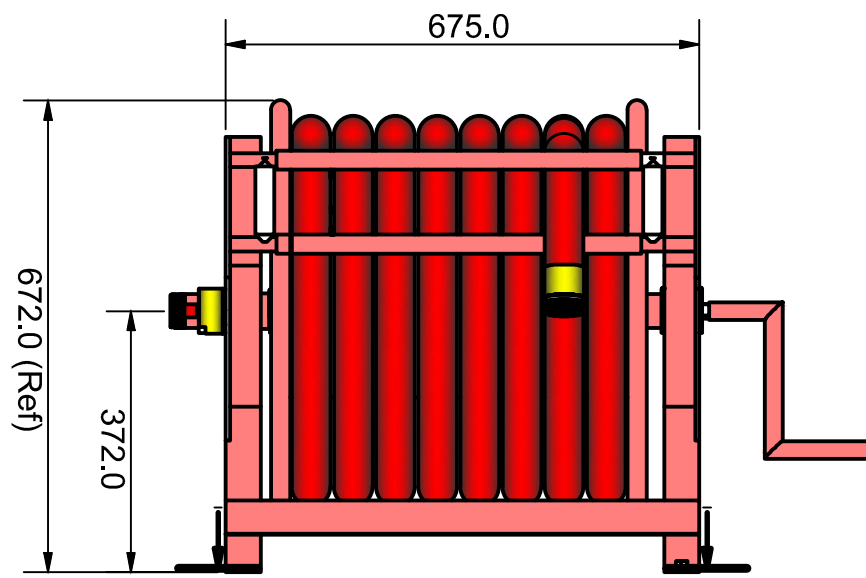
HR Stopper



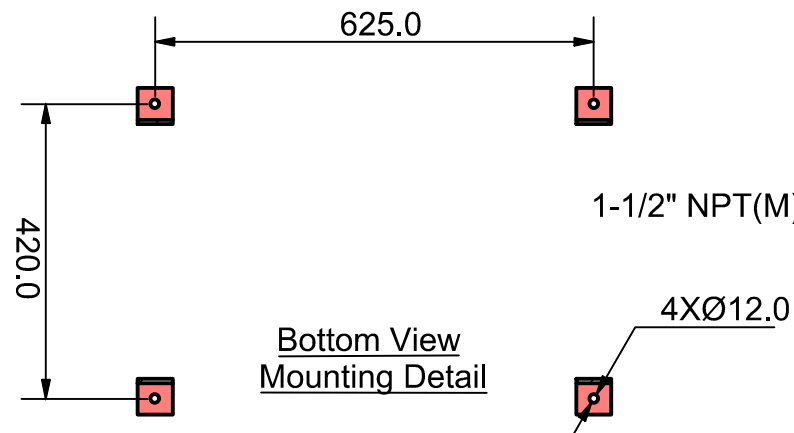
Top View



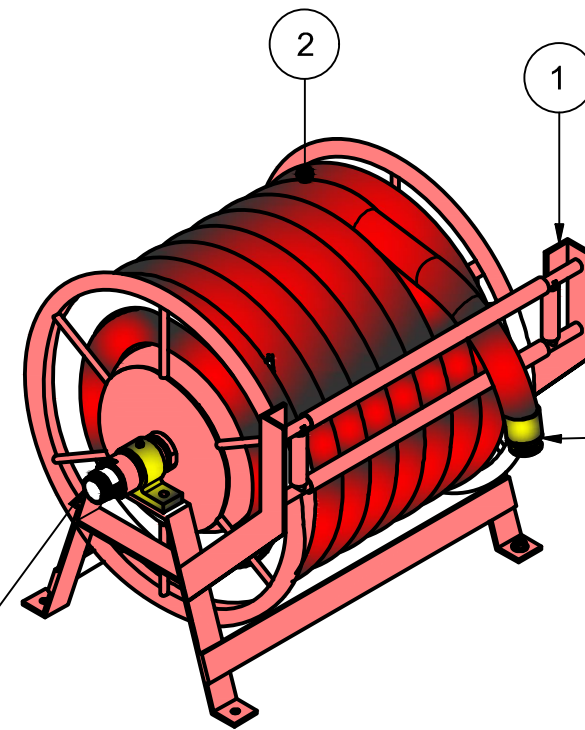
Side View



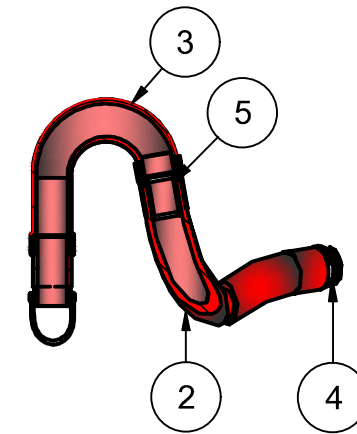
Front View



Bottom View Mounting Detail



Style 3020
1-1/2" Shipboard Vari-Nozzle with Pistol Grip



Detail Connection

BOM Part List

Item	Description	Material	Com No.	Qty
1	Drum And Stand	Carbon Steel	03235102	01
2	1-1/2" x 30m Hose	Rubber	03180809	01
3	1-1/2" Waterway	LG2	-	01
4	Adaptor 1-1/2" Serrated To NST(M)	Brass	-	01
5	Adaptor Set 1-1/2" Swivel Serrated To 1-1/2" NST(F) cw Rubber Disc	Brass	-	01

Technical Specification

Description	Specification
Finishing	Red Polyurethane Marine Paint, RAL 3001
Design Pressure	20 Bar
Operating Temp	5 Deg C to 85 Deg C
Weight	95KG

Flowrate

Inlet	Jet	Spray
6 bar	295 lpm @ 4 bar	350 lpm @ 2.4 bar
9 bar	370 lpm @ 6 bar	443 lpm @ 3.5 bar

D:\LASERSCAN AS BUILT\PROJECTS\03_09_2020-IRP Hose Reel\Drawings\60001598_1.5 inch Continuous Hose Reel\1.5 inch Continuous Hose Reel.dwg

NOTES:	COPYRIGHT © BY IRP FIRE AND SAFETY ALL RIGHTS RESERVED THIS DOCUMENT CONTAINS INFORMATION WHICH IS SUBJECT TO OBLIGATION OF CONFIDENTIALITY AND IS TO BE RETURNED UPON REQUEST. ITS CONTENTS MAY NOT BE COPIED, DISCLOSED TO THIRD PARTIES, OR USED FOR OTHER THAN THE EXPRESS PURPOSE FOR WHICH IT HAS BEEN PROVIDED WITHOUT THE WRITTEN CONSENT OF IRP FIRE & SAFETY LTD.
REFERENCE DRAWINGS:	

CLIENT NAME:	
PROJECT NAME:	
P.O. NO.:	
QUOTE REF. NO.:	



DRAWING NAME:	1.5IN x 30M CONTINUOUS HOSE REEL
LOCATION:	
DRAWING NO.:	IRPG-FSE-PROJ-CHR-150-LAY-0001
SCALE:	NTS
SHEET NO.:	1 OF 1

REV.	DATE	DESCRIPTION	D'GN.	DWG'N.	CHK.	APPR.
A	03/11/2020	ISSUED FOR REVIEW	G.P			