



Fire hydrants are the work horse of any fire department, delivering water to the fire fighters right where it is needed most.

DRY BARREL FIRE HYDRANT

FIRE PROTECTION

FEATURES

- Maximum Operating Pressure: 250 PSI (17.2 Bar)
- UL Listed, FM Approved for Fire Protection Roadside Service
- Conforms to AWWA C502 Requirements
- Factory Tested 100% to 500 PSI (34.5 Bar)
- Ductile Iron Body
- Steel Stem and Bronze Seat
- All Fasteners Below Ground 304 Stainless Steel
- Finish: Red and Black Epoxy Paint Interior and Exterior per AWWA C550
- Lubrication: Lube Oil Cold Temp
- Repairable Due to Traffic Breakage Without Excavation
- Seat and Disc Repairable Without Excavation
- Minimal Torque Seat and Disc Design for Closing and Opening Torque

INLET OPTIONS

- 6" (ND150) ASME B16.5 Class 150
- DIN 2503 PN16 Flanged
- Mechanical Connection per AWWA / ANSI C153 / A21.536

OUTLET OPTIONS

- Fire Pump Steamer 4 1/2" - 4NH
- 2 1/2" - 7.5NH Standard

NDBH-F2

ASME Class 150 /
ISO PN16 Flange

NDBH-M2

AWWA Mechanical
Joint



Dry Barrel Fire Hydrant

Ductile Iron Body • Seat and Disc Repairable Without Excavation • AWWA C550 Epoxy Coated

250 PSI (17.2 BAR) Maximum Operating Pressure

UL LISTED* • FM APPROVED**



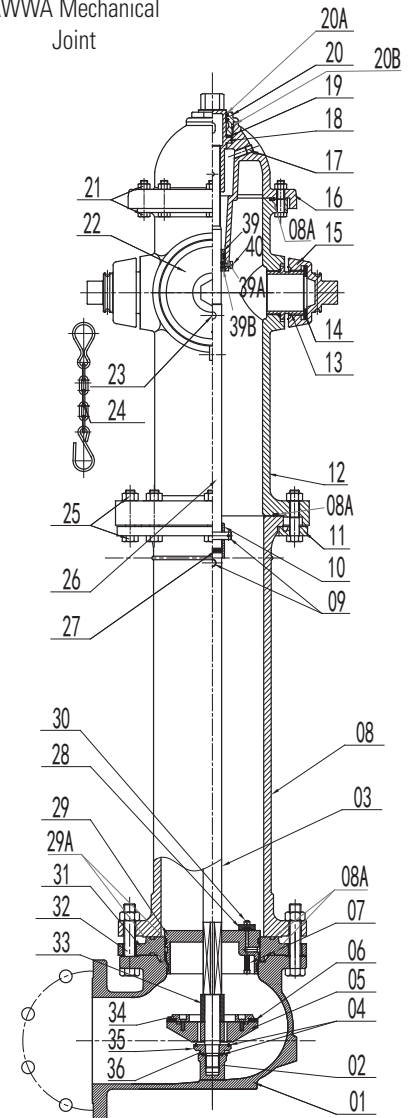
MATERIAL LIST

PART	SPECIFICATION
1. Connector Inlet	Ductile Iron ASTM A536 Grade 65-45-12
2. Lock Nut	Ductile Iron ASTM A536 Grade 65-45-12
3. Connecting Rod	Carbon Steel 1045 ASTM A29/29M
4. Lock Nut Gasket (ø24 x 4)	EPDM ASTM D200
5. Tray	Ductile Iron ASTM A536 Grade 65-45-12
6. Seal	EPDM ASTM D2000
7. Drain Hole Spring	316 Stainless Steel ASTM A240
8. Lower Barrel	Ductile Iron ASTM A536 Grade 65-45-12
8A. O-Ring (ø200 x 7)	NBR ASTM D2000
9. Perforated Cylinder Pin	Carbon Steel 1045 ASTM A29/29M
10. Connecting Rod Sleeve	Carbon Steel 1045 ASTM A29/29M
11. Clamp Ring	Ductile Iron ASTM A536 Grade 65-45-12
12. Body Upper	Ductile Iron ASTM A536 Grade 65-45-12
13. Outlet Nipple	Aluminum Bronze
14. Outlet Gasket	EPDM ASTM D2000
15. Outlet Cap	Ductile Iron ASTM A536 Grade 65-45-12
16. Upper Bonnet	Ductile Iron ASTM A536 Grade 65-45-12
17. Thread Plug	Aluminum Bronze ASTM B148
18. Screw Stem Nut	Aluminum Bronze ASTM B148
19. Screw Nut Gasket	Aluminum Bronze ASTM B148
20. Screw Nut Seat	Aluminum Bronze ASTM B148
20A. O-Ring (ø47.5 x 3.55)	NBR ASTM D2000
20B. O-Ring (ø67 x 3.55)	NBR ASTM D2000
21. Bonnet Bolts and Nuts	Carbon Steel 1035 ASTM A29/29M
22. Pumper Connection Cap	Ductile Iron ASTM A536 Grade 65-45-12
23. Cylindrical Pin	Carbon Steel 1045 ASTM A29/29M
24. Cover Chain	Carbon Steel Gr B ASTM A283-B
25. Body Bolts and Nuts	Carbon Steel 1035 ASTM A29/29M
26. Upper Stem	Carbon Steel 1045 ASTM A29/29M
27. Cushion	EPDM ASTM D2000
28. Drain Hole Cover	Aluminum Bronze / EPDM
29. Seat	Aluminum Bronze ASTM B148
29A. O-Ring (ø150 x 3.55)	NBR ASTM D2000
30. Bolt and Nut	Stainless Steel 304 ASTM A240
31. Seat Retainer Plate	Ductile Iron ASTM A536 Grade 65-45-12
32. Lower Barrel Bolts and Nuts	Stainless Steel 304 ASTM A240
33. Annular Tube	Carbon Steel 1045 ASTM A29/29M
34. Plate Retainer	Ductile Iron ASTM A536 Grade 65-45-12
35. Lock Nut Seat	Ductile Iron ASTM A536 Grade 65-45-12
36. Check Turn Gasket	EPDM ASTM D2000
37. Steamer Connector Tube	Aluminum Bronze ASTM B148
38. Steamer Gasket	EPDM ASTM D2000
39. Screw Stem Bushing	Stainless Steel 304 ASTM A240
39A. O-Ring (ø35 x 3.55)	NBR ASTM D2000
39B. O-Ring (ø30 x 3.55)	NBR ASTM D2000
40. Bolt	Stainless Steel 304 ASTM A240



NDBH-F2
ASME Class 150 /
ISO PN16 Flange

NDBH-M2
AWWA Mechanical
Joint

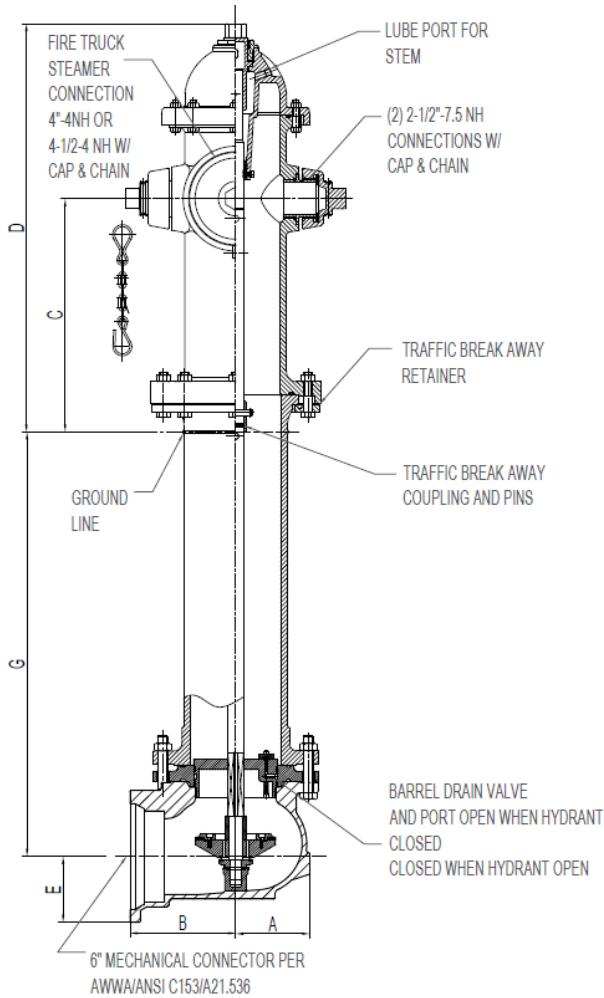


Seat Repair Kit: Includes all seals, O-rings and removal tool "T" Handle. (1) item #4, (1) item #6, (1) item 8A, (1) item 20A, (1) item 20B, (2) item 29A, (3) item 29B, (2) item 39A, (2) item 39B and (1) T handle stem wrench.

Traffic Repair Kit: Includes new connecting sleeve, clamp ring, pins and O-rings for above ground repair. (2) item 8A, (2) item 9, (1) item 10, (1) item 11, (1) item 20A, (1) item 27, (1) item 20B, (2) item 39A, (2) item 39B

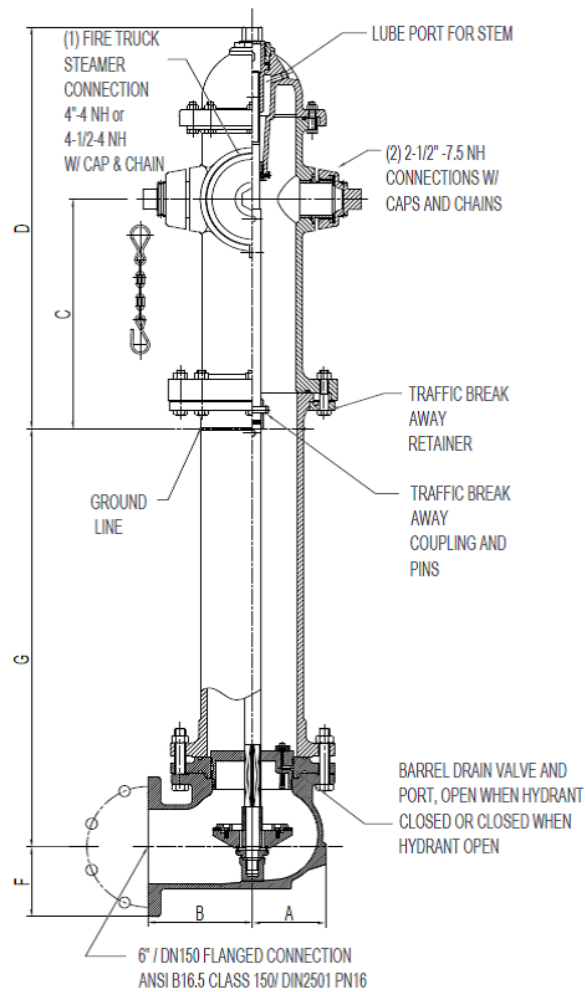
Visit our website for the most current information.

Dimensional Information



NDBH-M2

AWWA Mechanical Joint



NDBH-F2

ASME Class 150 / ISO PN16 Flange

Dry Barrel Hydrant 6" (DN 150) Flanged or Mechanical Inlet, STD Outlets (2) 2-1/2"-7.5NH Male Outlets and (1) 4-1/2"-4 NH Male Steamer Pumper Connection:

Part Number Flanged	Part Number Mechanical	A (mm/ inch)	B (mm/ inch)	C (mm/ inch)	D (mm/ inch)	E (mm/ inch)	F (mm/ inch)	G (mm/inch)	Weight (kg)
NDBH-F2	NDBH-M2	146/ 5.75	208/ 8.18	460/ 18.11	805/ 31.7	130/5.12	140/5.51	1063/42	185
								1215/48	190
								1368/54	196
								1520/60	211
								1673/66	220
								1825/72	241
								1978/78	246
2130/84	251								

Options:

- Inlet flanged ASME B16.5 Class 150 or ISO2501 PN16, or / mechanical AWWA C153 / A21.536
- Depth choose one of above Dimension "G"
- Outlet (2) 2-1/2" hose connection thread type specify, standard =7.5NH (other thread types available)
- Steamer pumper outlet standard=(1) 4-1/2"-4NH, also available 4"-4NH optional adapter fitting

Visit our website for the most current information.

VALVES



Pressure-rated bronze, iron and alloy iron gate, globe and check valves • Pressure-rated bronze ball valves • Boiler specialty valves • Commercial and industrial butterfly valves • Lined butterfly valves • Circuit balancing valves • Carbon and stainless steel ball valves • ANSI flanged steel ball valves • Lined ball valves • Pneumatic and electric actuators and controls • Grooved ball and butterfly valves • High performance butterfly valves • UL/FM fire protection valves • MSS specification valves • Bronze specialty valves • Low pressure gate, globe, check and ball valves • Frostproof sillcocks • Quarter-turn supply stops • Quarter-turn low pressure valves • PVC and CPVC plumbing and industrial ball valves • Bronze & Iron Y-strainers • Sample valves • Sanitary valves • Lead-Free* valves • Coil-Connect® Kits

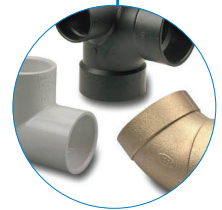
*Weighted average lead content ≤0.25%

FITTINGS

Wrot and cast copper pressure and drainage fittings • Cast copper alloy flanges • Wrot and cast press fittings • ABS and PVC DWV fittings • Schedule 40 PVC pressure fittings • CPVC CTS fittings • CPVC CTS-to-metal transition fittings • Schedule 80 PVC and CPVC systems • CPVC BlazeMaster® fire protection fittings • Lead-Free* fittings

BlazeMaster® is a registered trademark of The Lubrizol Corporation.

*Weighted average lead content ≤0.25%



FLEXIBLE PIPING SYSTEMS



PE-RT and PEX tubing for potable and radiant applications • Insulated tubing • Risers • Ice maker tubing • Silicon Performance Bronze® fittings • Poly alloy fittings • Home Run Manifold® • Radiant heat manifolds • Ball valves and supply stops • Connections, tools and accessories • Radiant heat controls and panels

INDUSTRIAL PLASTICS

Thermoplastic pipe, valves, and fittings in PVC, Corzan® CPVC, polypropylene and PVDF Kynar® • Pneumatic and electric actuation systems • BlazeMaster® CPVC fire protection fittings

BlazeMaster® and Corzan® are registered trademarks of the Lubrizol Corporation • Kynar® is a registered trademark of Arkema Inc.



eNIBCO

EDI—Electronic Data Interchange • VMI—Vendor Managed Inventory • NIBCO.com • NIBCOpartner.com



NIBCO®

AHEAD OF THE FLOW®

NIBCO INC.
WORLD HEADQUARTERS
WEB: www.nibco.com

1516 MIDDLEBURY STREET
ELKHART, IN 46516-4740
USA

DOMESTIC CUSTOMER SERVICE
PHONE: 800.234.0227
FAX: 800.234.0557

TECHNICAL SERVICE
PHONE: 888.446.4226
FAX: 888.336.4226

INTERNATIONAL OFFICE
PHONE: +1/574.295.3327
FAX: +1/574.295.3455