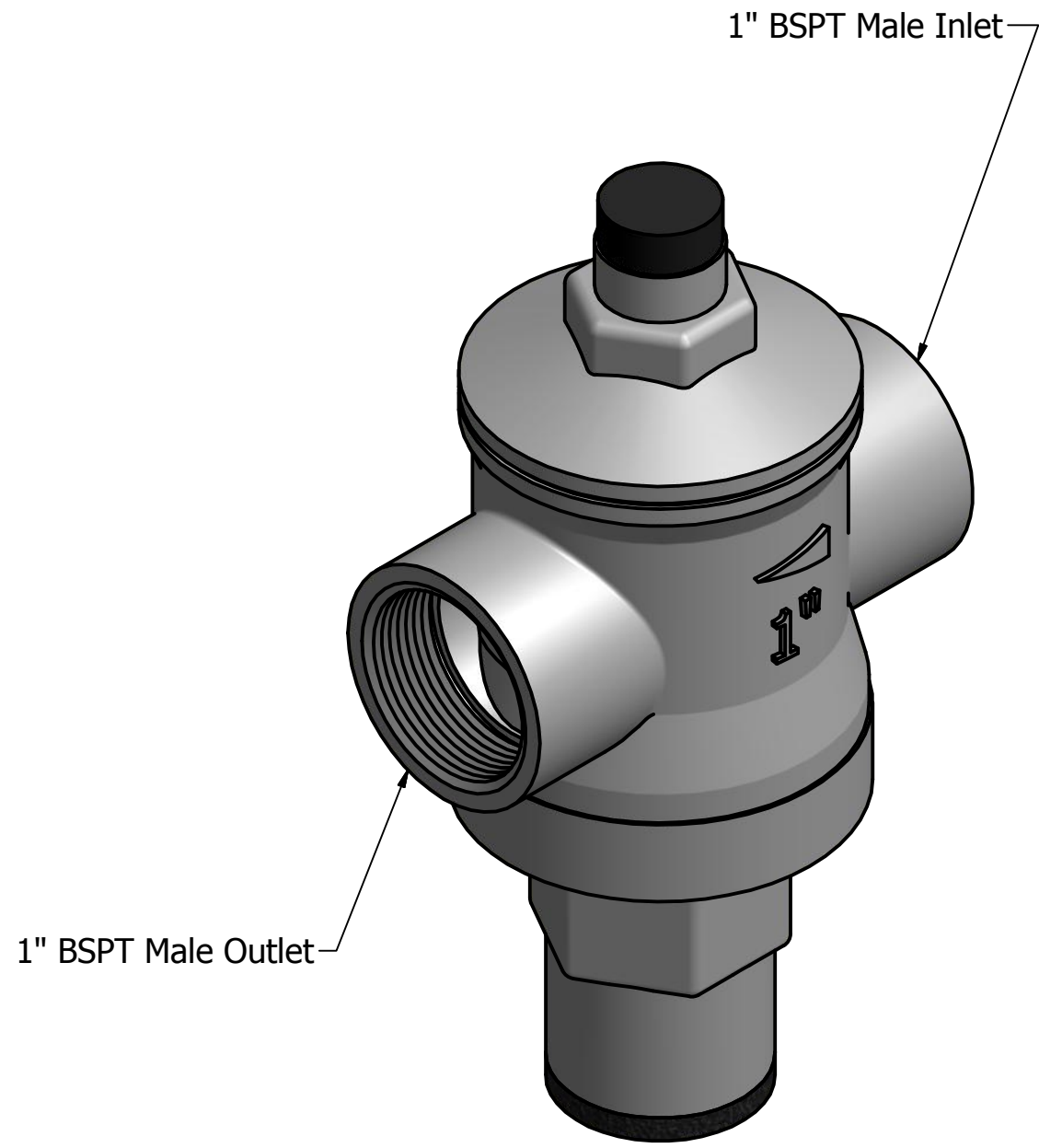
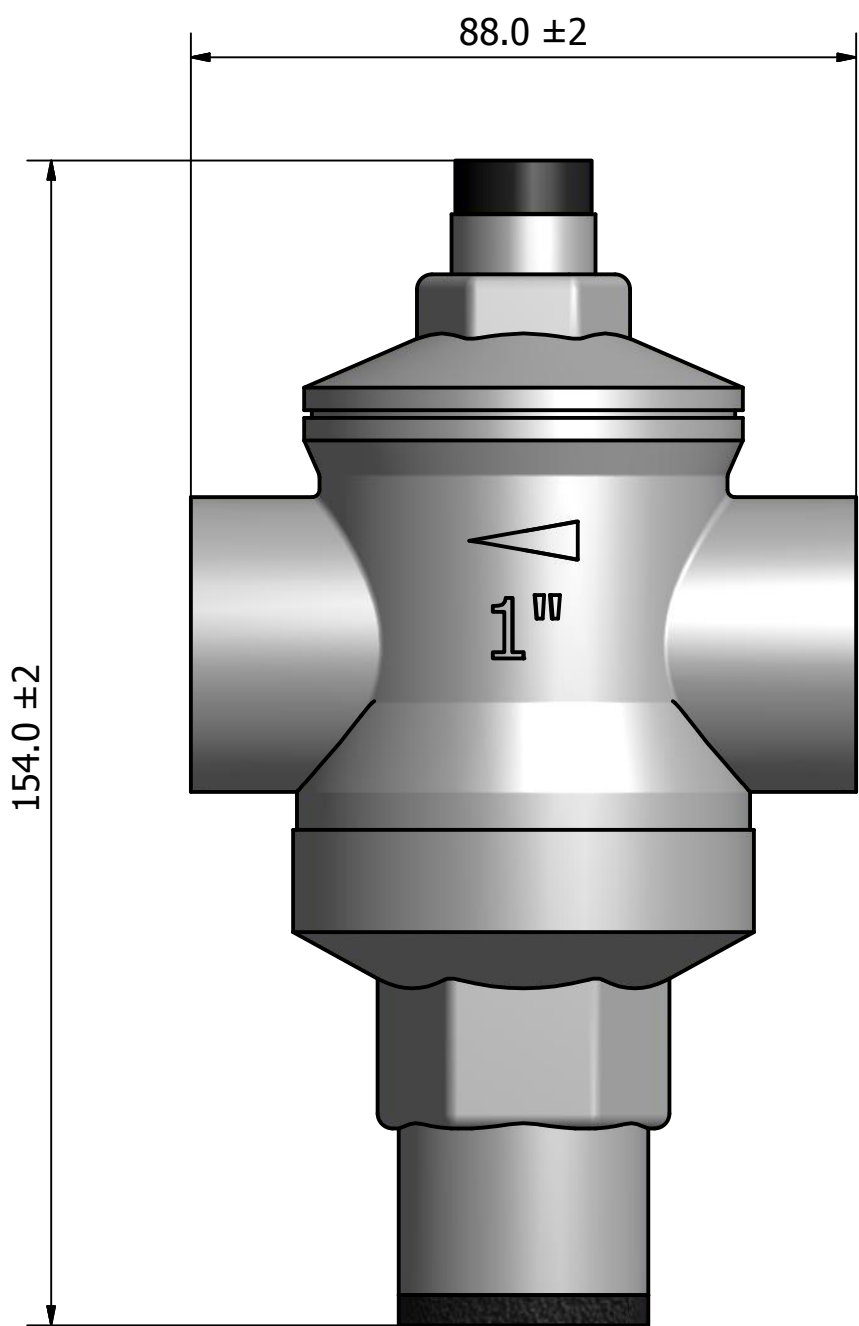




Technical Specification	
Description	Specification
Material	Nickle Chrome Plated
Design Pressure	16 bar
Outlet Pressure	1.5 bar to 4.5 bar
Flowrate	71 l/min @ 2 bar drop
Approx Weight	1.1 kg



 <p><b>LINGJACK ENGINEERING WORKS PTE LTD</b>          NO.1 WOODLANDS TERRACE #03-01          LINGJACK INDUSTRIAL BUILDING          SINGAPORE 738471          TEL:(65)6759 4163 FAX:(65)6758 7513          E-MAIL:COMBAT@LINGJACK.COM          WEBSITE:WWW.COMBAT.COM.SG</p>	Customer :	Project :							
	Title : 1" Pressure Regulating Valve (C-25PRV)								
	Drawing No. : 03115000	Com. No. : 03115000							
	General Tolerance : All dimension in MM unless specify	This drawing contains proprietary information and should not be reproduced or use in any way without written permission from Lingjack Engineering Works Pte Ltd.	Scale : NTS	Sheet : 1/1	26.09.12	G.A Drawing.	Ken	Lucas	00
0 <D<=6 (+/-0.1) 120 <D<=400 (+/-0.5)	6 <D<=30 (+/-0.2) 400 <D<=1000 (+/-0.8)	3rd Angle Projection :		Date	Description	Drawn	Approved	GA Rev	Pro Rev
30<D<=120 (+/-0.3) 1000<D (+/-1.0)									

The company reserves the right to change the specification without prior notice.